

Design Engineering

Sarla Technologies has delivered more than 3+ million man-hours of multi-disciplinary engineering services for our global customers. We provide high quality process oriented design, drafting and detailed engineering services for our global customers.

Our 350+ engineers have working knowledge of various skids, modules, sub-systems and processes across 10+ industry verticals. We have rich expertise across product and plant engineering lifecycles.



Product Engineering

Concept 3D Design
Detailed Design
Calculations & Analysis
Manufacturing 2D Drawings

Plant Engineering

Equipment Design
Detailed Engineering
Piping Design
Isometrics-Fabrication Drawings

Engineering Solutions

CAD Migrations
Technical Documentation
Design Standardization
Localization

We Command Rich Experience Across the Following Applications

Product Applications

Skids & Modules: Chemical Injection Package, Metering, F&G, Pumping, etc.

Control Panels: PLC, MCC, VFD, DC Drive, Servo, Pneumatic, Explosion & Instrument Panels, etc.

Static & Rotating Equipment: PV, HE, Pumps, Dryers, Compressors, Analyzers, Valves, etc.

Environmental Products: ESPs, Bag-House, Scrubbers & Ancillaries, etc.

Boilers: Waste to Energy, Fossil Fuel, Fired Heater, Solar Thermal, etc.

Plant Engineering Processes

Offshore and Onshore: FPSO, FLNG, Jacket rigs, Offshore substations, Pipeline, Wind farms, Storage Terminal, Petrochemical Units, Subsea, etc.

Power Plants: Thermal, Captive, Biomass, Wind, Solar, Hydro, etc.

F&B and Life Sciences: Dairy, Brewery, Chocolates, Food Processing, CiP, API, Formulation, etc.

Utilities: Desalination, Water & Sludge Treatment, etc.

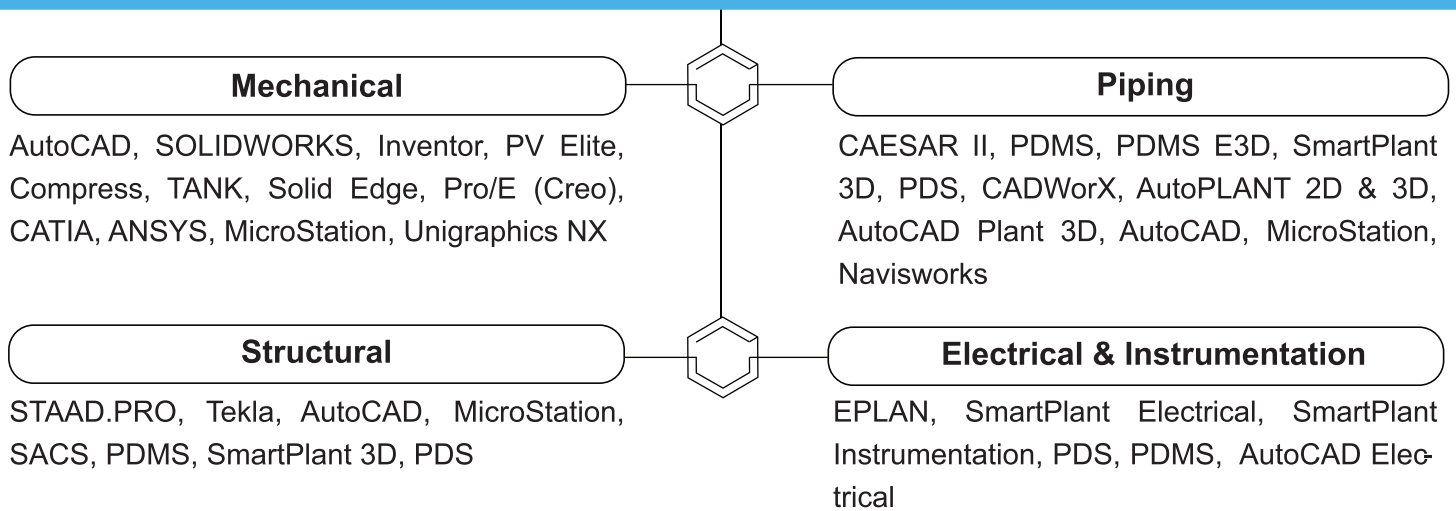
Material Handling: Bottling Plant, Fillers, Silos, Conveyor, ASRS, Racks, Metals & Mining, etc.

Automotive: Paint Booth, Powertrains, Assembly, etc.

Services & Deliverables Across Product & Plant Engineering

Mechanical	Piping	Structural	Electrical & Instrumentation
Pre-bid Engineering	Piping Materials Specifications	Structural Design- Primary and Secondary Steel	Load Lists
Component Sizing and Selection	Equipment Layout	In-place, Lifting and Transportation Design	Single Line Diagram
Equipment Design Calculation	Equipment & Piping 3D Modeling	Foundation Design	Lighting & Earthing Calculation
Equipment GA Drawings	Piping Layout & GA Drawing	Structural 3D Modeling	Cable Sizing
Detailed Fabrication Drawing	Piping Isometrics / Spool Drawings	Structural Fabrication/ Shop Drawing	Instrument Index, Specs, Data sheet
Legacy Data Conversion & Migration	Pipe Stress Analysis	Steel Detail Drawing	Control Valve Sizing
Panel Engineering	Support Design	Pipe Rack & Support	Hook up Drawings
	Parts List/ BOM/ MTO	BOM	Logic & Wiring Diagram
			Layouts- Cable Trays, Earthing, Lightening

CAD Tools & Software Competency



Compliance Norms and Standards Experience

IES, ASME, OSHA, ISO, IEEE, DIN, NORSOK, EU, ATEX, IFEA, INC, OGP, SIL, ISA, GMP, API, IEC, NEMA, ANSI, NACE, BS, IS, EN, EEMUA, etc.

Let's connect

www.sarlotech.com

sales@sarlotech.com



Mumbai, **India (HQ)**
+91 22 6785 2300



Pittsburgh, **USA**
+1 412 928 2052



Milton Keynes, **UK**
+44 1908 082264



Dubai, **UAE**
+971 4 2954821



Haarlem, **Netherlands**
+31 6 15203446



Paris, **France**
+33 7 81 84 74 02